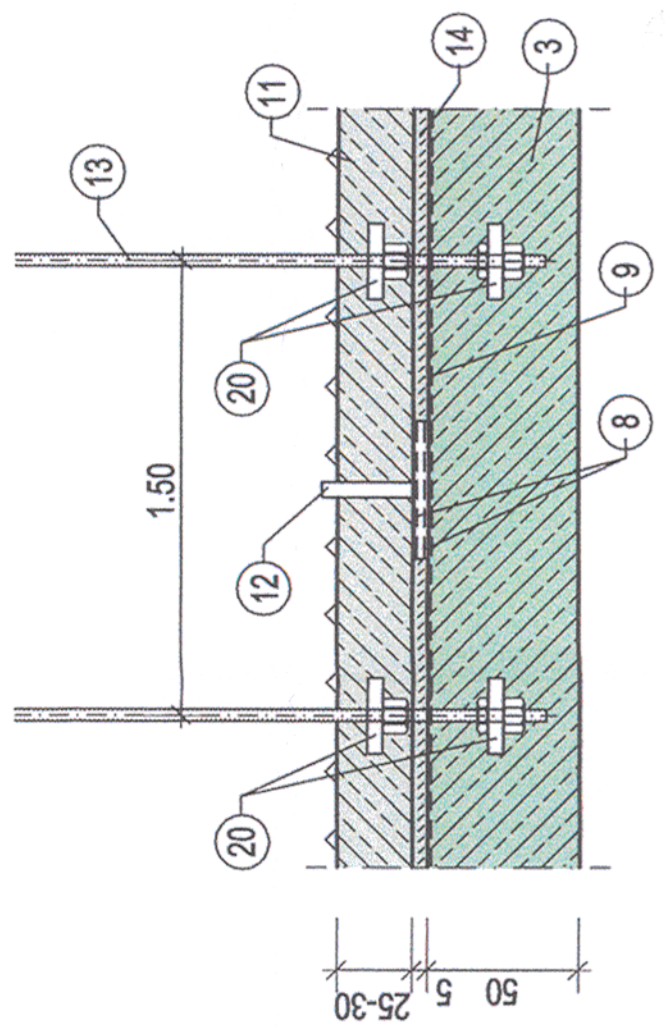


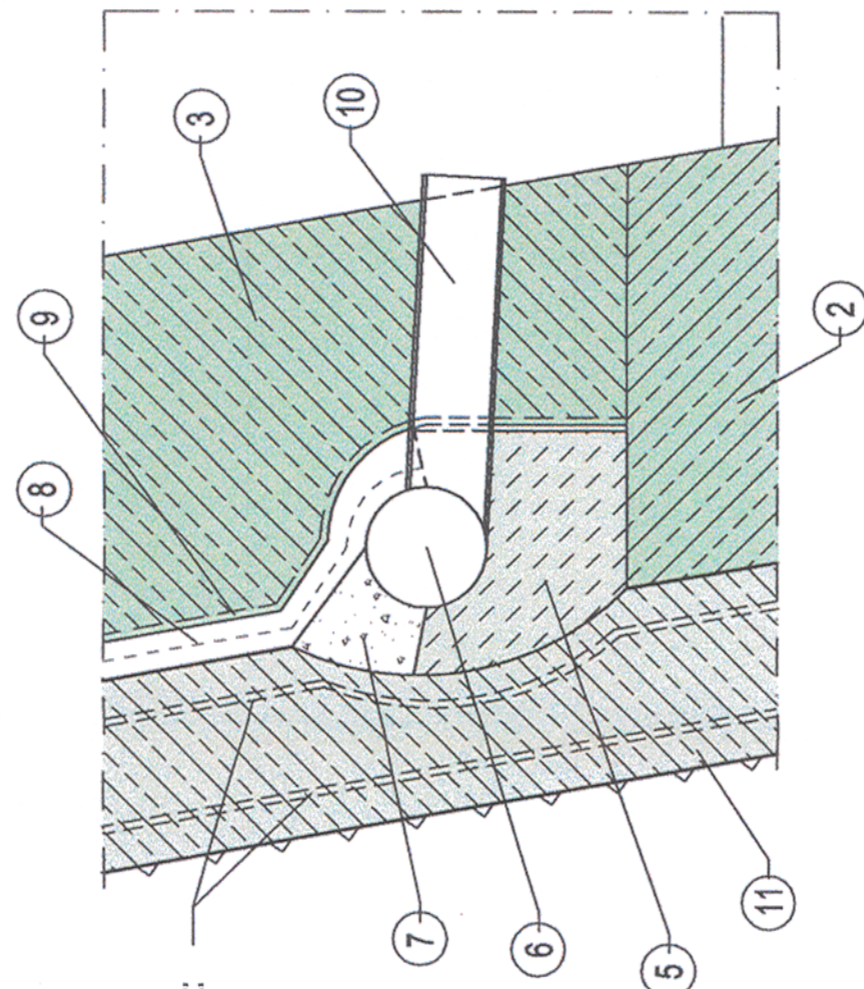
Section A - A
M=1:25



Legend:

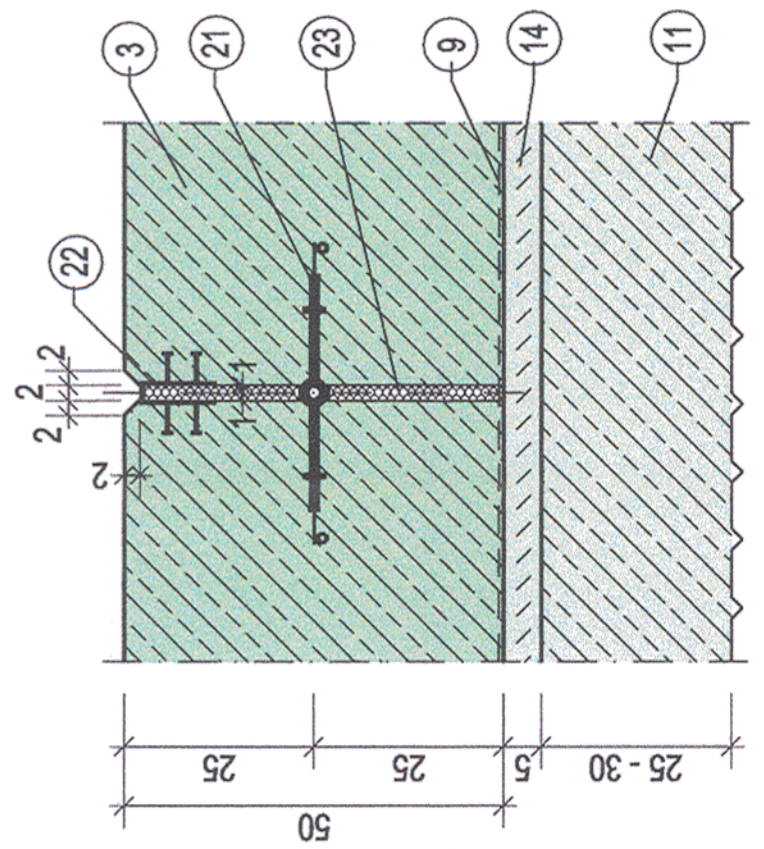
3. Header shell reinforced concrete, class C 30/37; XA1, XC4, XF2, watertight (WU)
8. 2-Layers Hydraway 2000, width 18"
9. Geotextile with separation role (1000g/m²)
11. Shotcrete shell made of reinforced concrete C25/30, XF1
12. Boreholes for drainage shotcrete shell, Ø50mm, 2pieces/m², arrangement in vertical lines
13. Permanent rocknails, BSt 500S, GEWI, borehole diameter 150mm
14. Even bed of shotcrete beside Hydraway
20. Plate 250x250x50mm

Detail "B"
M=1:10



shotcrete reinforcement:
(inner and outer layer)

Detail "C"
Design Construction joint,
header shell
M=1:10



Legend:

3. Header shell reinforced concrete, class C 30/37; XA1, XC4, XF2, watertight (WU)
9. Geotextile with separation role (1000g/m²)
11. Shotcrete shell made of reinforced concrete C25/30, XF1
14. Even bed of shotcrete beside Hydraway
21. Water stop FMS 400 with steel plates
22. Capping joint FVK 1073
23. Joint filler, mineral fibre mat, 20mm

Legend:

2. Retaining wall foundation made of reinforced concrete, class C 30/37; XA1, XC4, XF2
3. Header shell reinforced concrete, class C 30/37; XA1, XC4, XF2
5. Drain foundation made of plain concrete, class 16/20
6. PEHD tube Ø150mm, slitted or drilled at the upper part (120°)
7. Corner region filling made of gravel sort 7/31
8. 2-Layers Hydraway 2000, width 18"
9. Geotextile with separation role (1000g/m²)
10. weeper made of PVC Ø110mm
11. Shotcrete shell made of reinforced concrete C25/30, XF1



MINISTERUL
TRANSPORTURILOR

BENEFICIAR / BENEFICIARY :



COMPANIA NAȚIONALĂ DE CĂI FERATE "CFR" SA



PROIECTANT / DESIGNER:

Aprobat Approved	Sef de echipa Team leader	C. Teodorescu	Data Date	Semnatura Signature
Verificat Checked	Expert Cheie Key Expert	M. Diegmann	06/2013	<i>[Signature]</i>
Aprobat Approved	Adjunct Sef de echipa Deputy Team leader	J. Werfling	06/2013	<i>[Signature]</i>
Proiectat Designed	Inginer Engineer	D. Ciotarnel	06/2013	<i>[Signature]</i>

"Reabilitarea liniei c.f. Frontieră - Curtici - Simeria, parte componentă a coridorului IV Pan - European pentru circulația trenurilor cu viteză maximă de 160 km/h"
Tronsonul 2: km 614-Gurasada
"Rehabilitation of the Railway Line Border - Curtici - Simeria, component Part of the IV Pan - European Corridor for the Trains Circulation with maximum speed of 160 km/h"
Section 2 : km 614-Gurasada

Denumire desen / Drawing name:
RETAINING WALLS, DETAILS

Scara / Scale 1:25 / 1:10	Cod desen / Drawing Code RWD 1	Nr / No RWD 1
------------------------------	-----------------------------------	------------------